

# CIE-H10

(8 Ports Remote I/O Controller)



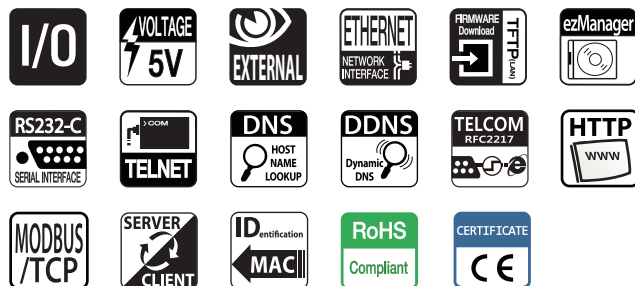
## Overview

CIE-H10通过局域网(因特网)提供远程监视Digital Input Port, 控制Digital Output Port的功能。因此, 通过因特网使用者可以将对现有的各节点进行控制。节点控制通过Modbus/TCP 或WEB(HTTP)通信实现。同时输入端口根据简单的逻辑方程控制输出端口的功能, 所以可以多样化的应用。CIE-H10不仅提供节点控制功能还提供串口 ↔ TCP/IP转换器的功能, 故可以减少使用者的费用负担。

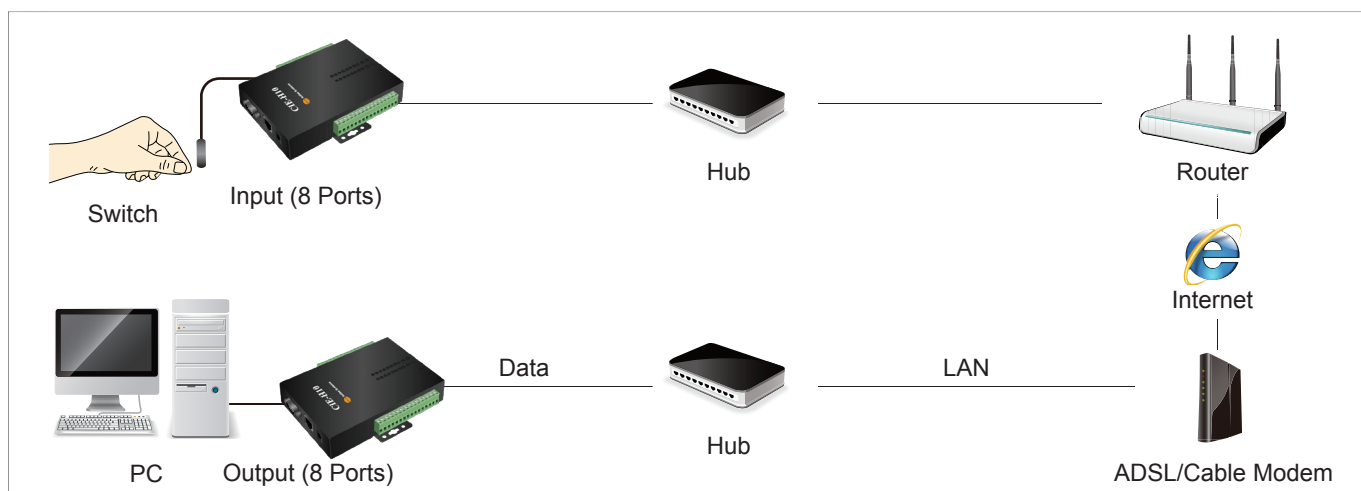
## Highlights

- 远程进行Digital Input/Output Port监视/控制
- 8路数字输入端口 (Photo-coupler interface)
- 8路数字输出端口 (Relay interface)
- 通过Modbus/TCP 或网页(HTTP)监视/控制
- 提供用户网页上传功能
- 支持简单的逻辑表达式控制(可独立工作)
- 一个 RS232端口  
(最大230,400bps, 支持RS232 ↔ TCP/IP 转换功能)
- 保安功能 (IP/MAC filtering, Password)
- 支援DHCP, PPPoE (支持在多样的动态IP环境下使用)

## Icons



## Applications

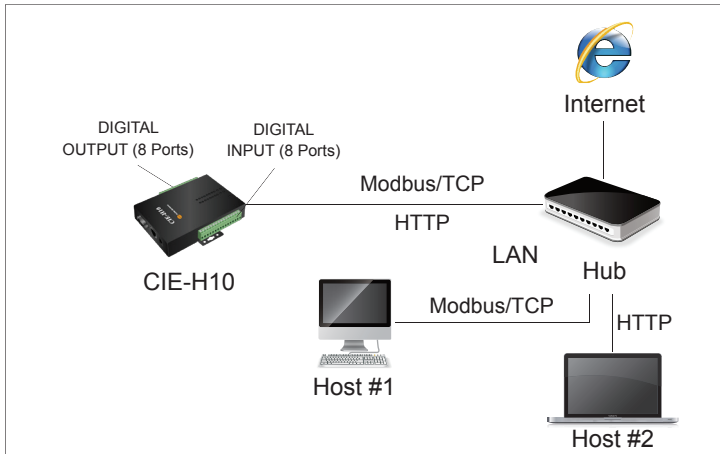


# Specifications

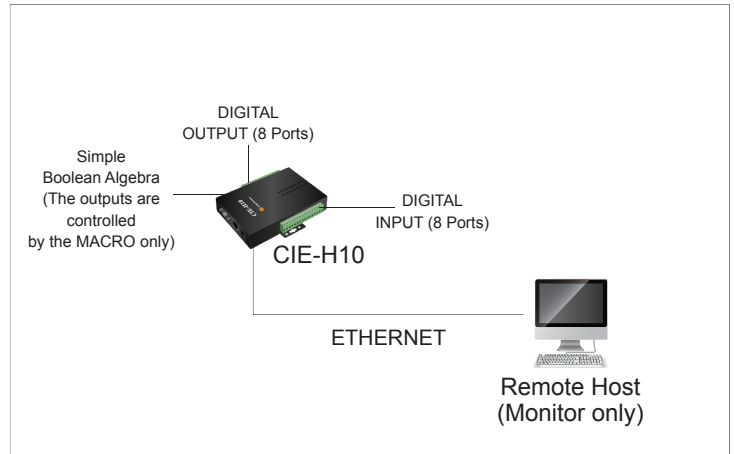
Digital Input Port	
Number of Ports	8
Interface	Isolated by Photo-coupler
Electric Parameter	MAX VIL=1.2V, MIN VIH=1.8V
Maximum Input Voltage	DC 24V
Digital Output Port	
Number of Ports	8
Interface	Isolated by Relay
Relay Capacity	5A (DC28V)
Serial Physical Interface	
Serial Interface	1 x RS232 Port
	RXD, TXD, RTS, CTS, DTR, DSR
	±15KV ESD Protection
Connector	DB9M Connector
Serial Port Property	
Data Rate	300 bps ~ 230,400 bps
Data Bits	5, 6, 7, 8 bits
Parity	None, Even, Odd, Mark, Space
Stop Bit	1, 1.5, 2
Network Physical Interface	
Network Interface	10Base-T/100Base-TX Ethernet (RJ45)
	Ethernet Speed Auto Sense
	1:1 or Cross-over Cable Auto Sense
	1000 VAC Isolation
Software Functions	
Protocols	TCP, UDP, IP, ICMP, ARP, Ethernet, TELNET
	TFTP, DHCP, PPPoE, DNS, HTTP, Modbus/TCP
	Telnet COM Port Control Option (RFC2217)
Security	IP & MAC filtering - Restrict host or network
	Password for Configuring
Digital I/O Port Communication Mode	Modbus/TCP, HTTP
	Stand alone (by simple equation)
Serial Communication Mode	TCP Server (T2S)
	TCP Client (COD)
	TCP Server/Client with AT command (ATC)
	UDP Mode (U2S)
Additional Functions	Remote Debug Function
	TCP Server/Client Mode
	Sending MAC address Option

Indicators(LEDs)	
Power	Red
Status	Yellow, The current status
Ethernet Link	Red - 10M Ethernet, Green - 100M Ethernet
Ethernet RXD	Yellow
Ethernet TXD	Green
Digital Input	8 Yellow x 8
Digital Output	8 Green x 8
Management	
ezManager	Configuration and Monitoring Tool through Network and Serial
Telnet	Telnet Login
AT Command	Configuring in ATC mode
Supplementary Software	
ezManager	Configuration Tool for Windows
ezVSP	Serial to Network Virtual Driver for Windows
ezTerm	Simple TCP/IP Communication Test Tool
Dimension	
Size	153mm x 126mm x 32mm
Operating Environment	
Input Voltage	DC 5±0.5V
Current Consumption	510mA typical
Operating Temperature	0℃ ~ +55℃
Storage Temperature	-40℃ ~ +85℃

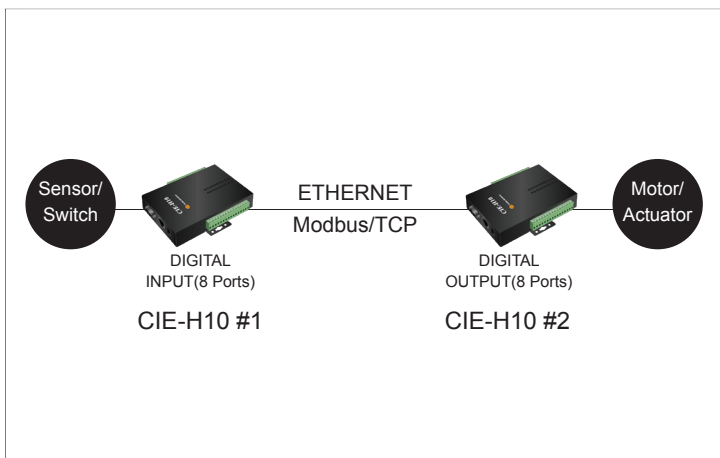
# System Diagram



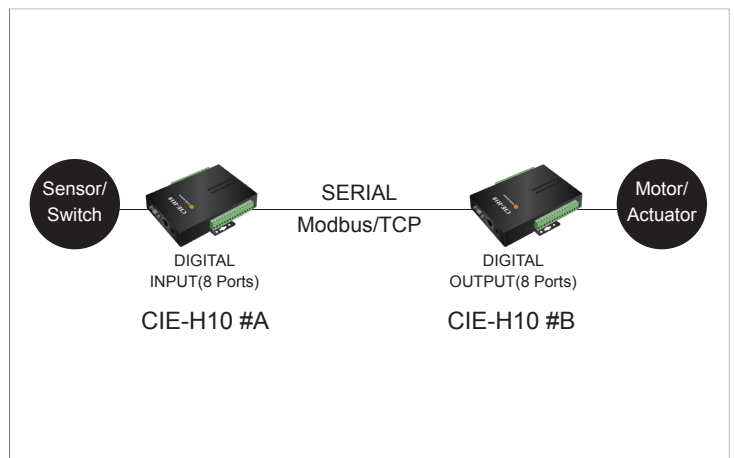
Modbus/TCP and HTTP



MACRO (Stand Alone)



INTERNET SWITCH



SERIAL SWITCH