

4-Port Digital Input I/O Gateway

SIG-5441 User Manual

Version 1.2

Sollae Systems

<https://www.ezTCP.com>



This symbol, found on your product or on its packaging, indicates that this product should not be treated as household waste when you wish to dispose of it. Instead, it should be handed over to an applicable collection point for the recycling of electrical and electronic equipment. By ensuring this product is disposed of correctly, you will help prevent potential negative consequences to the environment and human health, which could otherwise be caused by inappropriate disposal of this product. The recycling of materials will help to conserve natural resources. For more detailed information about the recycling of this product, please contact your local city office, household waste disposal service or the retail store where you purchased this product.

Note:

This equipment has been tested and found to comply with the limits for a Class A digital device, pursuant to part 15 of the FCC Rules. These limits are designed to provide reasonable protection against harmful interference when the equipment is operated in a commercial environment. This equipment generates, uses, and can radiate radio frequency energy and, if not installed and used in accordance with the instruction manual, may cause harmful interference to radio communications. Operation of this equipment in a residential area is likely to cause harmful interference in which case the user will be required to correct the interference at his own expense.

Contents

- 1 Overview..... - 4 -**
 - 1.1 Introduction - 4 -
 - 1.2 Features - 4 -
 - 1.3 Specification - 5 -
 - 1.4 Interface - 6 -
 - 1.4.1 Power - 6 -
 - 1.4.2 Ethernet - 7 -
 - 1.4.3 Digital Input Port - 7 -
 - 1.4.4 LED - 11 -
 - 1.4.5 Function Button - 12 -
 - 1.4.6 Setup Port - 12 -
- 2 Preparation..... - 13 -**
 - 2.1 Installing the Setting Tool - 13 -
 - 2.2 Connecting a Product - 13 -
 - 2.3 Searching Devices - 13 -
 - 2.4 Logging in - 13 -
- 3 Settings..... - 14 -**
 - 3.1 Network - 14 -
 - 3.1.1 Obtain an IP address automatically..... - 14 -
 - 3.1.2 Use a Static IP address..... - 15 -
 - 3.2 General - 16 -
 - 3.2.1 Comments - 16 -
 - 3.2.2 Digital Input - 17 -
 - 3.3 Security - 18 -
 - 3.3.1 Password - 18 -
 - 3.3.2 Certificate - 18 -
 - 3.3.3 spFinder - 18 -
 - 3.3.4 Client ID - 19 -
- 4 Management..... - 20 -**
 - 4.1 Checking Status - 20 -
 - 4.1.1 Product Information - 20 -
 - 4.1.2 Communication Status - 21 -
 - 4.1.3 Timeout - 22 -
 - 4.1.4 Copy status - 22 -
 - 4.2 Firmware Change - 23 -
 - 4.2.1 Online Upgrade - 23 -
 - 4.2.2 Manual Upgrade - 24 -
 - 4.2.3 Remote Upgrade via cloud..... - 24 -
 - 4.3 Console - 25 -

- 4.3.1 Output Tab - 25 -
- 4.3.2 FW Log Tab - 26 -
- 4.3.3 Timeout - 26 -
- 4.4 Export/Import Setting Values - 27 -
- 4.5 Factory Reset - 28 -
- 5 Technical Support and Warranty - 29 -**
 - 5.1 Technical Support - 29 -
 - 5.2 Warranty - 29 -
 - 5.2.1 Free Repair Services - 29 -
 - 5.2.2 Charged Repair Services..... - 29 -
- 6 Precaution and Exemption from Liability - 30 -**
 - 6.1 Precaution - 30 -
 - 6.2 Exemption from Liability - 31 -
 - 6.2.1 English version - 31 -
 - 6.2.2 French version - 32 -
- 7 Revision History - 34 -**

1 Overview

1.1 Introduction

SIG-5441 is an industrial I/O Gateway connected to Sollae Cloud. It is equipped with 4 digital input ports and an Ethernet interface. Users can remotely monitor digital values of sensors/devices connected to this product by using a web browser on your PC, tablet or smartphone.

☞ This document presents the information related to device only. To connect the device to Sollae Cloud, see [Sollae Cloud User Guide](#).

1.2 Features

- 4 digital input ports: Wet Contact, Dry Contact, NPN, PNP input
- Digital input port with Up/Down Counter
- Ethernet Interface
- Freely connected to Sollae Cloud via MQTT
- Data is encrypted and securely transmit using TLS 1.2
- Client certificate authentication for devices
- Industrial temperature range (-40℃ ~ +85℃)

1.3 Specification

Digital Input	
Input Type	Dry Contact / Wet Contact / NPN / PNP
Input Voltage Range	4.5V ~ 25V
Number of Ports	4 ports
Network Physical Interface	
Network Interface	10Base-T/100Base-TX Ethernet (RJ45) Ethernet Speed Auto Sense 1:1 or Cross-over Cable Auto Sense
Software Functions	
Protocols	IP, TCP, ICMP, DHCP, mDNS, MQTT, SSL/TLS 1.2
Network Security	Client certificate-based mutual authentication over TLS 1.2
Indicators	
LED	MTX, MRX, Di0, Di1, Di2, Di3
Management	
spFinder	Configuration and Monitoring Tool
Access Security	Password
Dimension	
Size	94mm x 57mm x 23mm
Weight	about 65g
Operating Environment	
Input Voltage	DC5V±0.5V
Protection	Reverse Voltage Protection / Surge Protection
Current Consumption	typically, 150mA
Operating Temperature	-40℃ ~ +85℃
Storage Temperature	-40℃ ~ +85℃
Certificate	
KC	Registration (KN 32, KN 35)
CE	EMC 2014/30/EU, RoHS 2011/65/EU
FCC	FCC Part 15 Subpart B, Class A

Table 1-1 Specification

1.4 Interface

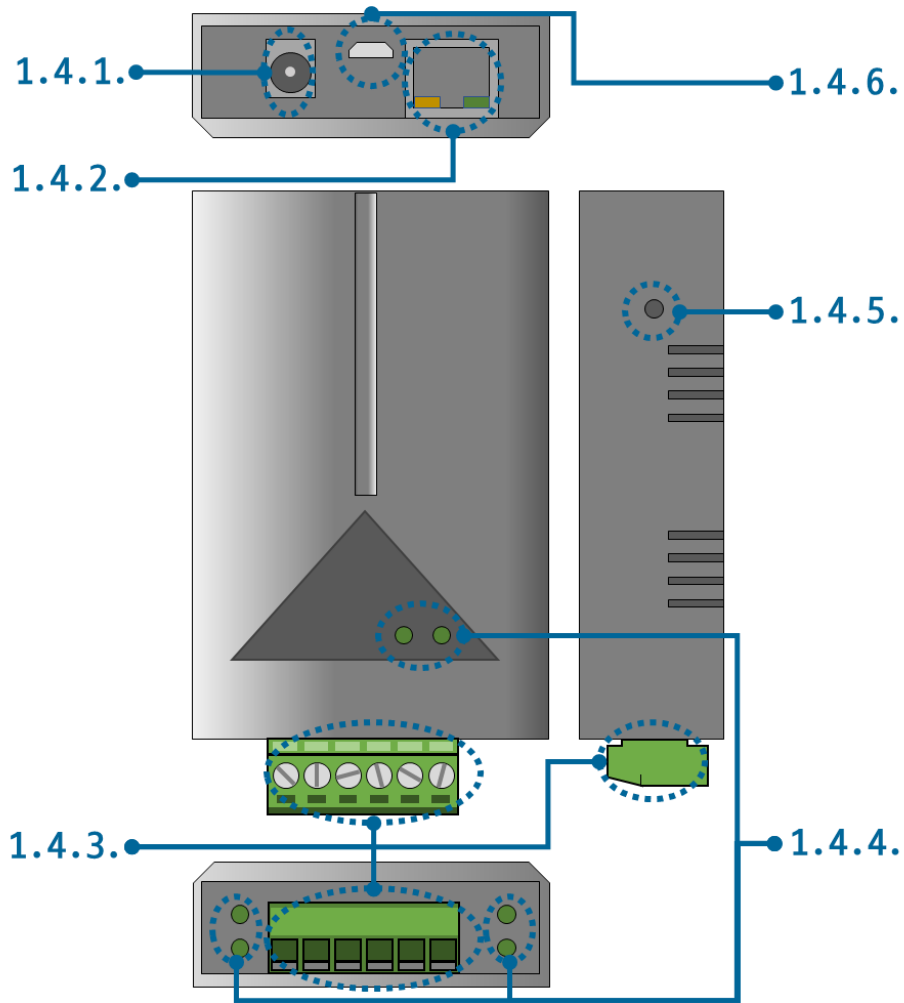


Figure 1-1 Interface

1.4.1 Power

SIG-5441 requires DC5V power supply whose specification is as follows:

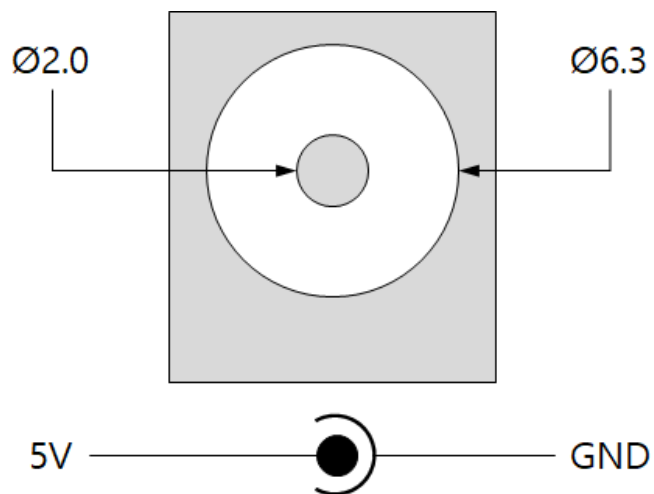


Figure 1-2 Power

1.4.2 Ethernet

SIG-5441 provides 10/100Mbps Ethernet. The pin assignment is as follows:

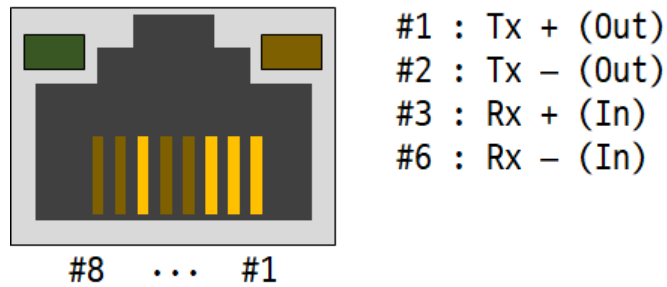


Figure 1-3 Ethernet

1.4.3 Digital Input Port

This port is interfaced with a 3.5mm pitch 6-pole terminal block.

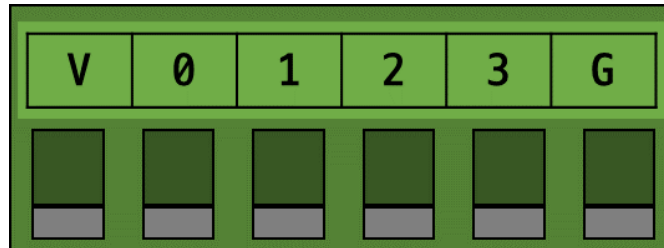


Figure 1-4 Digital Input Port

● Port Specification

Division	Value
Number of ports	4
Maximum Input Voltage	DC 25V
Voltage Required for HIGH decision	higher than DC 4.5V
Voltage for LOW decision	lower than DC 1V

Table 1-2 Port Specification

● Circuit Diagram of Digital Input

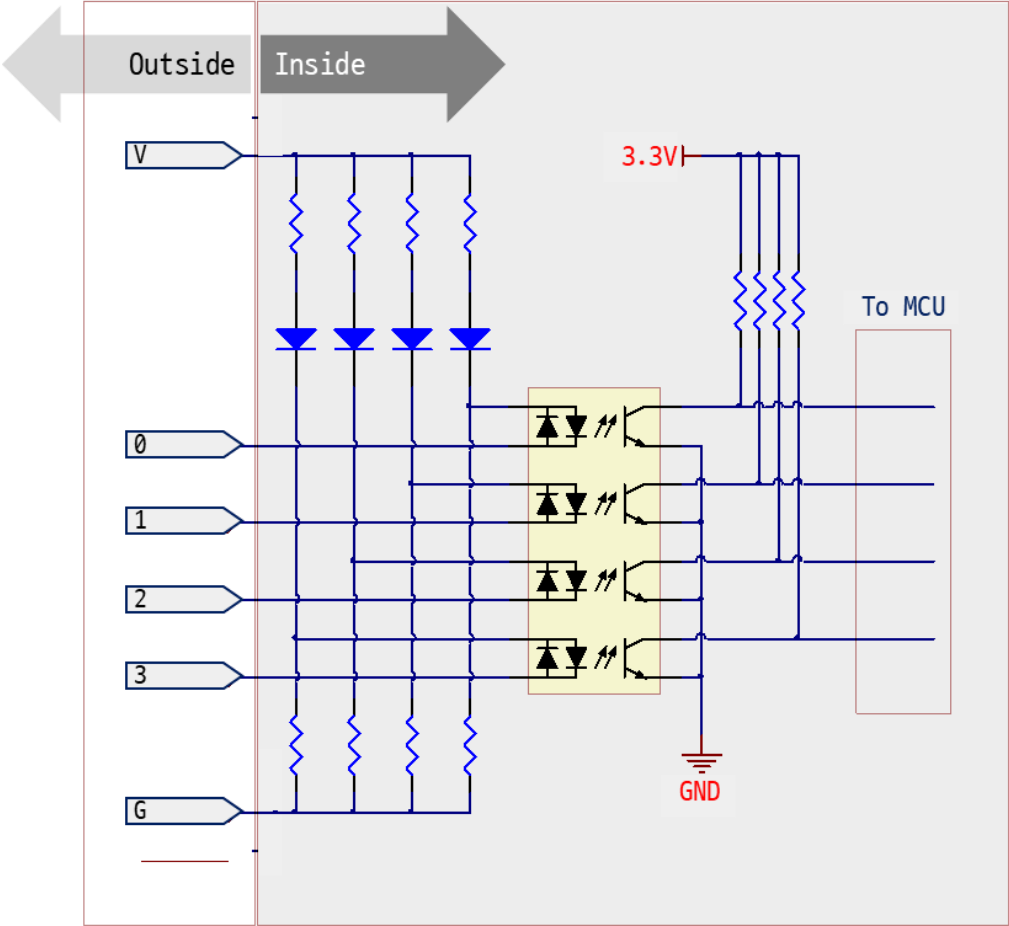


Figure 1-5 Circuit Diagram of Digital Input

● WET contact

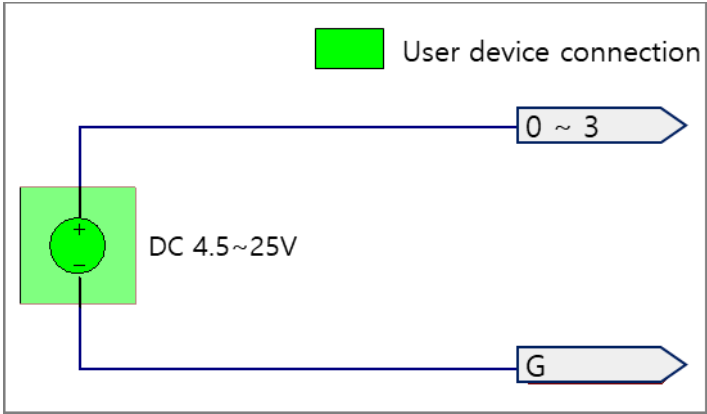


Figure 1-6 WET contact

- DRY contact

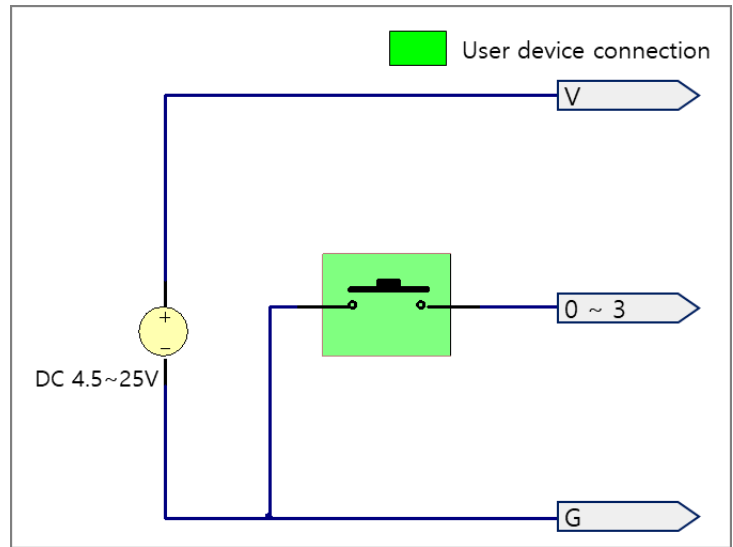


Figure 1-7 DRY contact

- NPN transistor

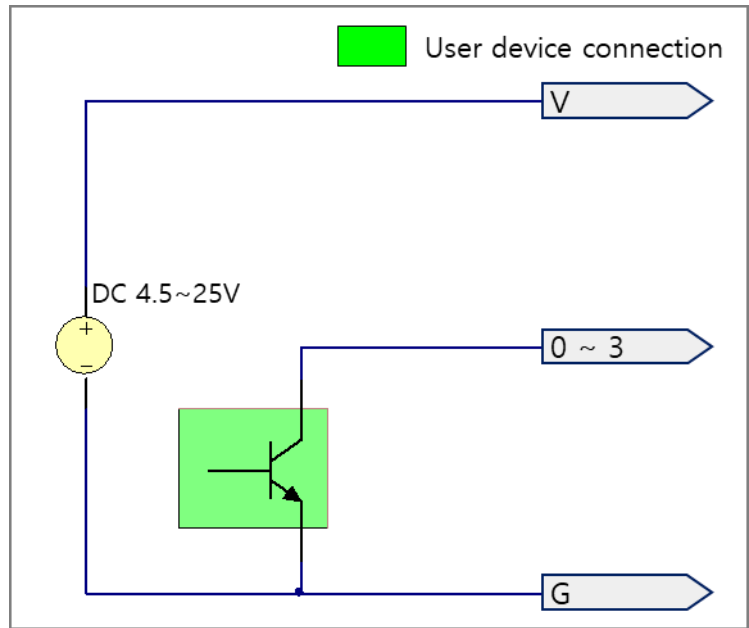


Figure 1-8 NPN transistor

- PNP transistor

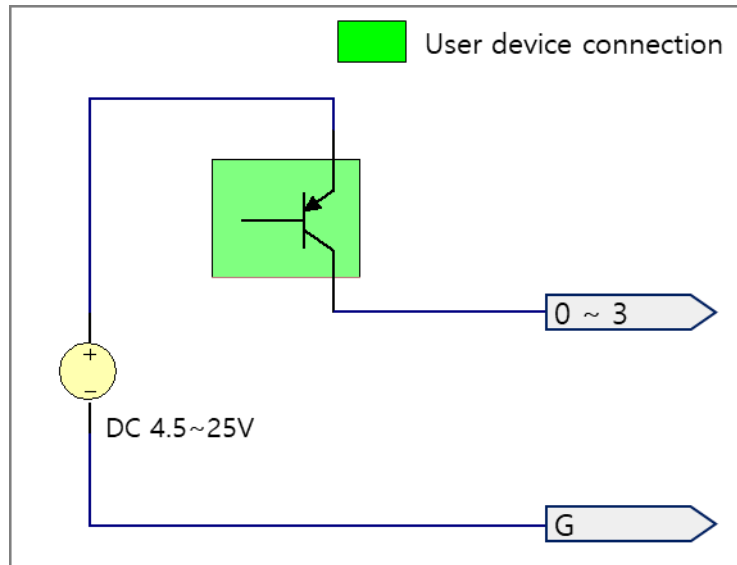


Figure 1-9 PNP transistor

1.4.4 LED

SIG-5441 provides 8 LEDs.

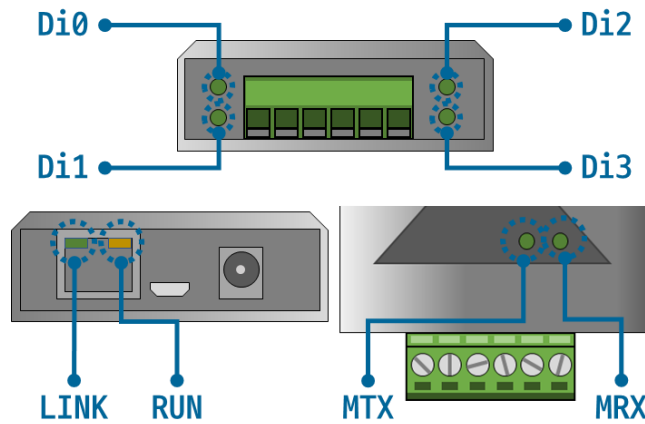


Figure 1-10 4 LED

LED operations according to each state are as follows:

When the script is running: RUN



When the script is running: RUN



When a network is not connected: LINK



When a network is connected: LINK



When a MQTT connection is NOT established: MTX & MRX



When sending data to the cloud: MTX



When receiving data (command) from cloud: MRX



When the input port is LOW: Di0, Di1, Di2 & Di3



When the input port is HIGH: Di0, Di1, Di2 & Di3



1.4.5 Function Button

This button is used to implement a factory reset.

1.4.6 Setup Port

This port is used for making a connection with a PC via USB cable.

2 Preparation

2.1 Installing the Setting Tool

You need a Windows program which is called spFinder to use this product. Download the program on our web site and install it on your PC.

Functions of the spFinder are as follows:

- Searching products connected via network and USB
- Setting products
- Monitoring status of products

2.2 Connecting a Product

Connect a product with your PC via a LAN cable or a USB cable. In the case of using a LAN cable, note that your PC and the product should be on the same local area network.

2.3 Searching Devices

Run spFinder on your PC and press the search button. If you select the product found, the setup menu appears on the right.

2.4 Logging in

Before accessing the searched product, you need to log in first. The default ID and password are as follows:

Division	Default Values
ID	sig-5441
Password	sig-5441

Table 2-1 The default values of ID and password

☞ If you search the product via network and it has the default value for a password, spFinder automatically processes the login.

3 Settings

3.1 Network

3.1.1 Obtain an IP address automatically

This product can automatically obtain an IP address by DHCP. A DHCP server is required to use this.

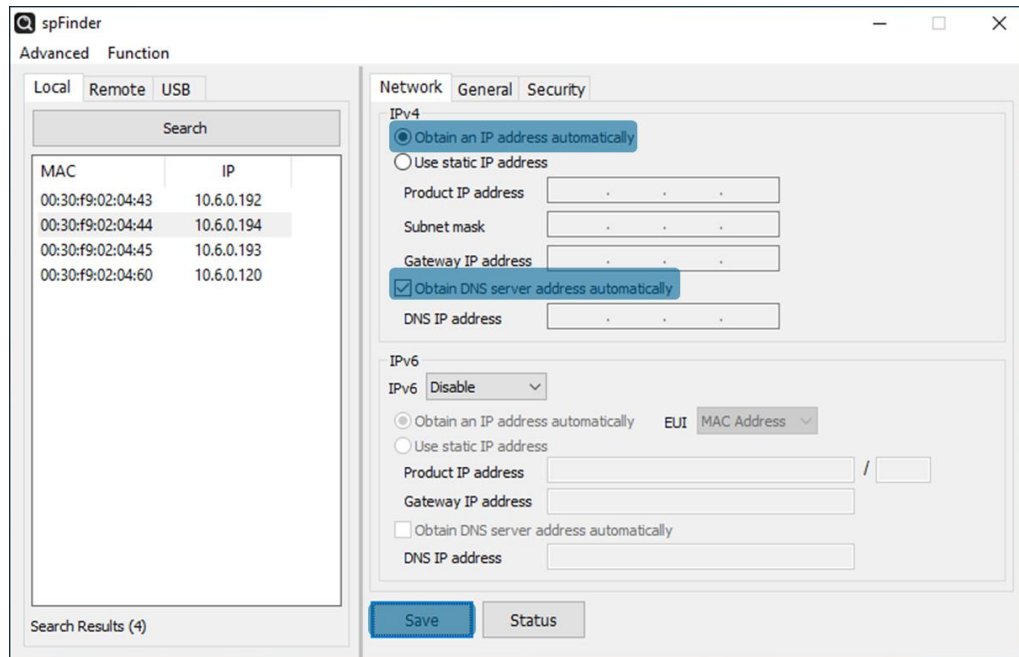


Figure 3-1 Obtain an IP address automatically

- Select the [Obtain an IP address automatically].
- Check the [Obtain DNS server address automatically] and click the [Save] button.

3.1.2 Use a Static IP address

You can set a static IP address to this product.

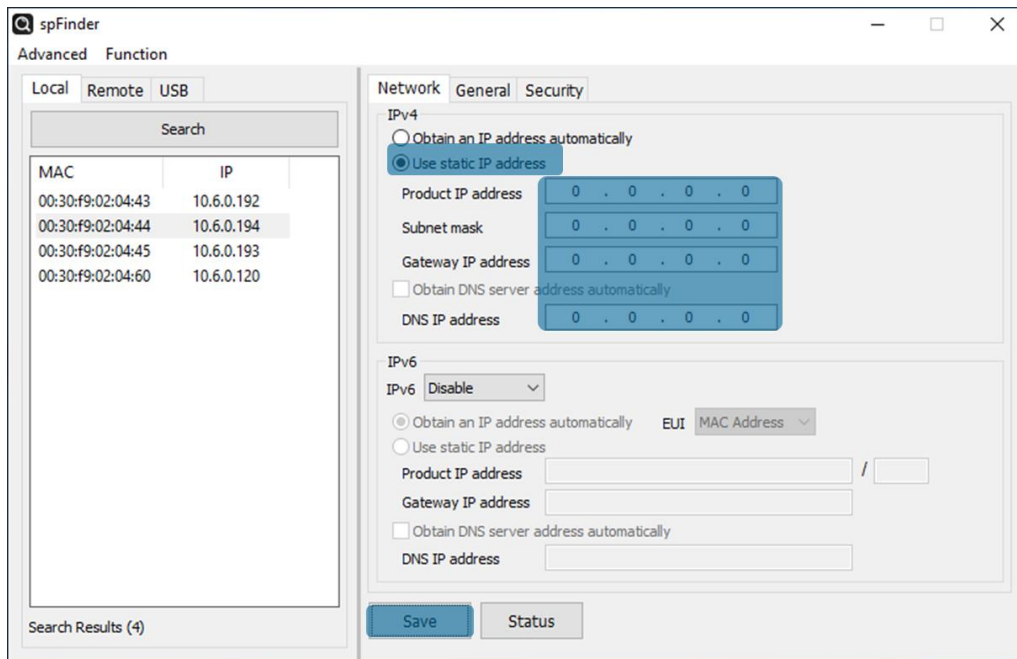


Figure 3-2 Use a static IP address

- Select the [Use static IP address].
- Set the [Local IP address], [Subnet mask], [Gateway IP address] and [DNS IP address].
- Click the [Save] button.

3.2 General

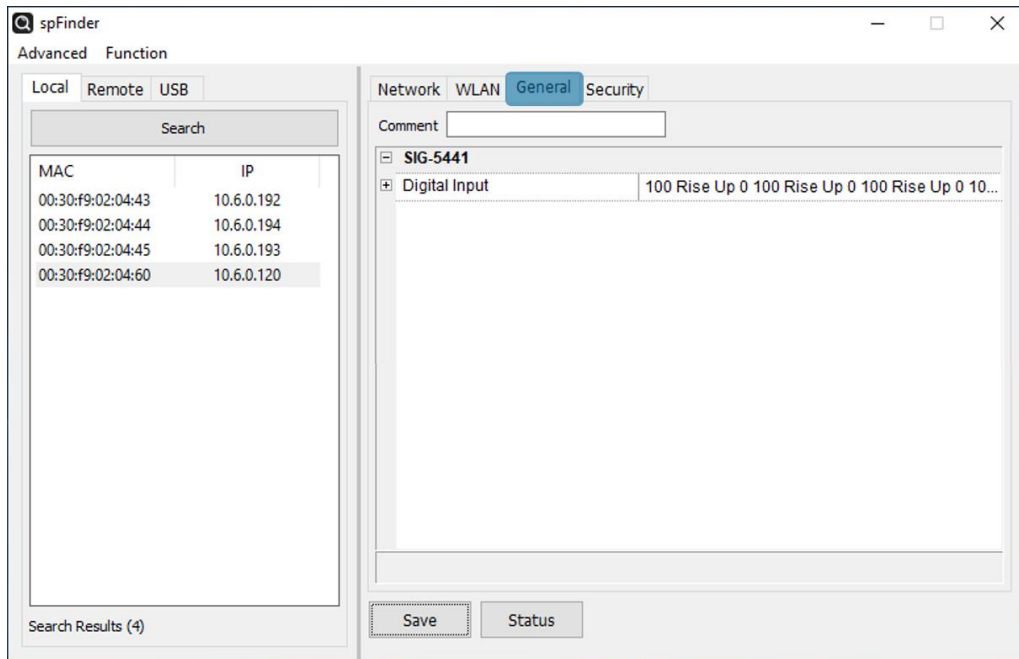


Figure 3-3 General

3.2.1 Comments

This setting is for storing the product description. The maximum setting size of this item is 32 bytes. We can add information such as: When a device is registered to the cloud, this field will be used as the default device description on Sollae Cloud.

3.2.2 Digital Input

- Valid Time (Unit: ms)

This item is to set the valid time of input signal. In order for the input signal to be judged as a valid signal, it must last longer than the time set in this item. The setting unit is milliseconds; The range is 100 to 30000. The default value is 100.

- Counter Type

This item is to set the counter type of each port. You can choose one among three options: Rise (rising edge), Fall (falling edge) and Both (rising edge or falling edge). The default value is Rise.

- Counter Direction

This item is to set the counter direction: Up (counting up) or Down (counting down). The default value is Up

- Default Count Value

The value that counter will start after the device booting up.

☞ *Valid Time, Counter Type, Counter Direction, and Default Count Value can also be set via Sollae Cloud after the device is registered under an account.*

☞ *User Interface and other features configurations can only be set via Sollae Cloud.*

3.3 Security

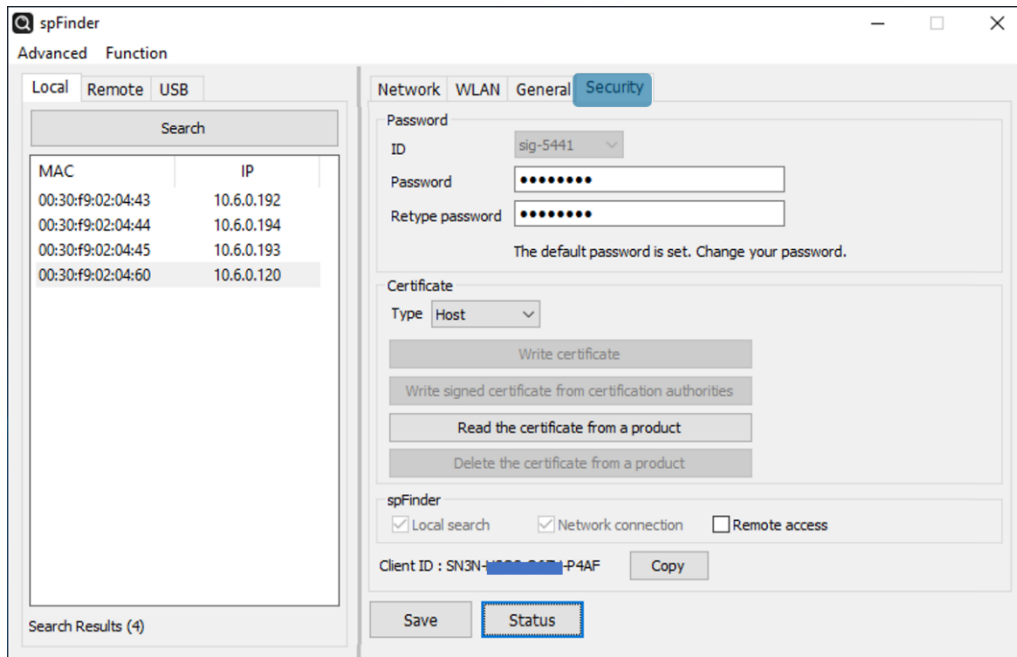


Figure 3-4 Security

3.3.1 Password

Both ID and password are required to access this product. Note that changing the default password to another is highly recommended for security. The password should be longer than 8 characters.

- Input a password to use to [Password] and [Retype password].
- Click the [Save] button.

3.3.2 Certificate

All TLS certificates were preloaded to the device, please ignore this part.

3.3.3 spFinder

These items are related to spFinder use.

- Local search

If this item is not checked, you will not be able to search for or connect to the product on your local network. This item can be set only when the product is connected via USB.
- Network connection

If this item is not checked, the product cannot be searched on the local network and the product cannot be connected on the local or remote network. This item can be set only when the product is connected via USB.

- Remote access

If this item is checked, the product can be connected from the remote network.
For security, this item is unchecked by default.

3.3.4 Client ID

The Unique ID which is used to register the device under your account in Sollae Cloud. See more detail on [Sollae Cloud](#).

4 Management

4.1 Checking Status

This is a function to view the current status of the product. Information in the [Status] window is automatically updated every second. After searching and connecting the product with spFinder, press the [Status] button to display this window. When you open this window, the spFinder connects to the product and keeps the connection until you close the window or time out. While the connection is maintained, other hosts cannot access the product using the spFinder.

4.1.1 Product Information

- Product Information Window

This area shows some major information of your product.

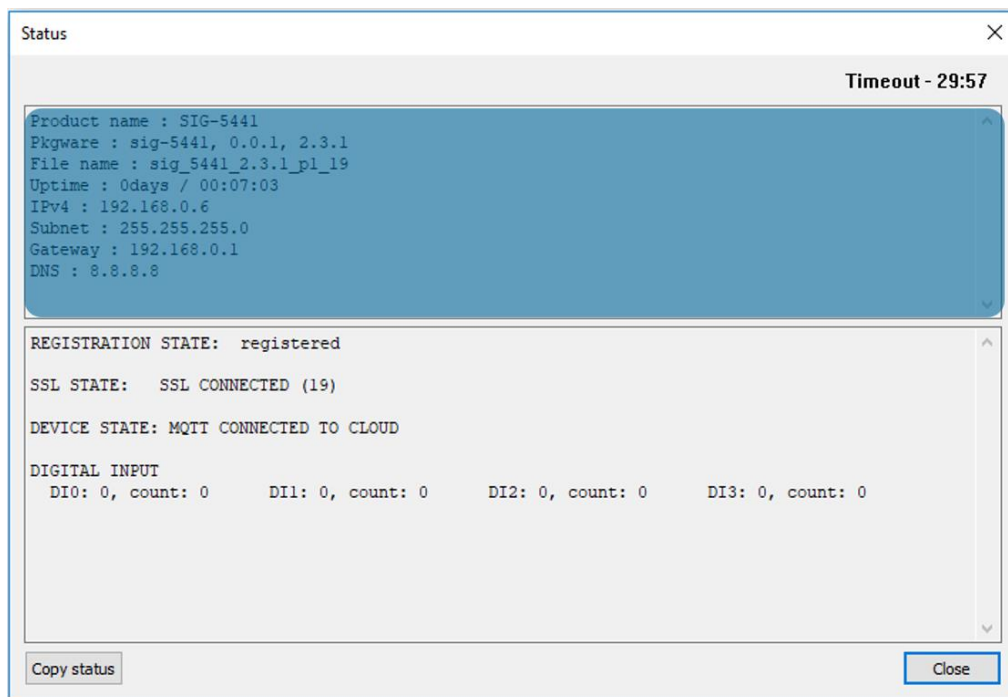


Figure 4-1 Product Information Window

- Product Information List

Item	Description
Product name	Product name
Pkgware	Model name, package version, Firmware version
File name	File name
Uptime	Elapsed time since it boots up (day / hour:min:sec)
IPv4	Assigned IPv4 address
Subnet	Assigned subnet mask
Gateway	Assigned gateway IP address
DNS	Assigned DNS server IP address

Table 4-1 Product Information List

4.1.2 Communication Status

- Communication Status Window

This area shows some communication status of your product. This area is refreshed every second.

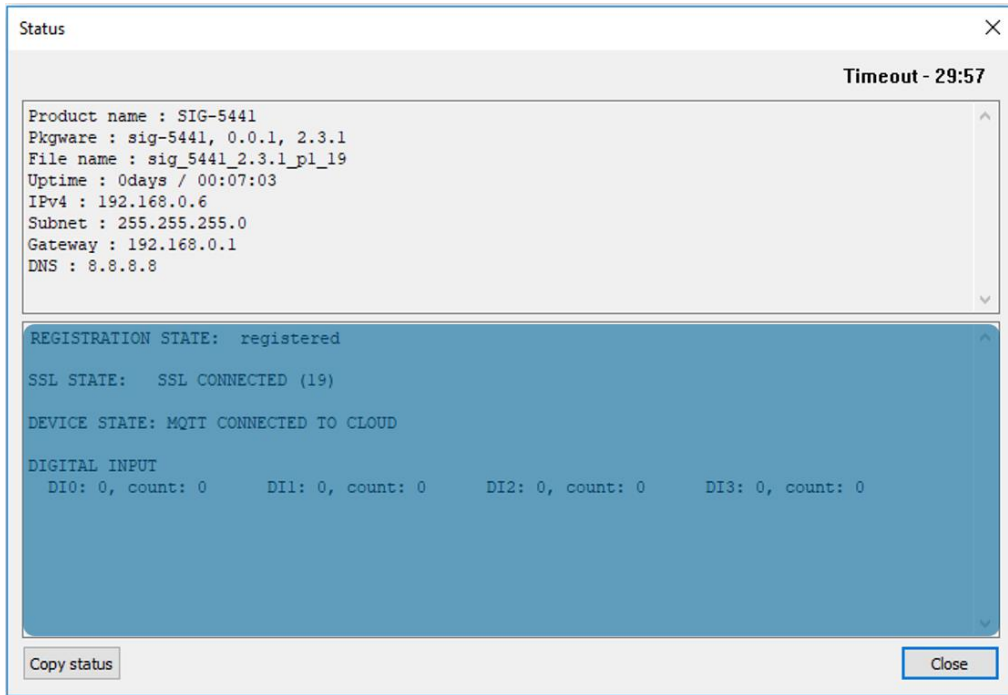


Figure 4-2 Communication Status Window

- REGISTRATION STATE

The registration state indicates whether the device is registered on Sollae Cloud under an account or not

Status	Description
checking	Checking the registration status
unregistered	The device is unregistered under any account
registered	The device was registered under an account

Table 4-2 REGISTRATION STATE

- SSL STATE

SSL/TLS connection state.

Status	Description
SSL CLOSED	Disconnected
SSL CONNECTING	Connecting
SSL CLOSING	Closing connection
SSL CONNECTED	Connected

Table 4-3 SSL STATE

- DEVICE STATE

The device operation state.

Status
STARTING
UPDATING INFORMATION TO CLOUD
FAILED TO UPDATE INFORMATION TO CLOUD
DEVICE IS UNREGISTERED TO AN USER
CONNECTING MQTT SERVER
MQTT CLOSED
MQTT CONNECTED TO CLOUD
MQTT PING TO CLOUD
DELAYING BEFORE RECONNECTING
UPGRADING PKGWARE
CONFIGURING DEVICE
APPENV FAILED
CERTS FAILED

Table 4-4 DEVICE STATE

- DIGITAL INPUT

Shows the state and counter's value of digital input ports.

Item	Description
DI0~3	Current state of each digital input port and counter value (0: LOW, 1: HIGH)

Table 4-5 DIGITAL INPUT

4.1.3 Timeout

This is the timeout display function that appears in the upper right of the status window. When this time reaches zero, the connection between spFinder and the product is lost. The initial value is 30 minutes. If you move the mouse pointer in the internal area of the status window, the timer is reset to the initial value again.

4.1.4 Copy status

Clicking this button copies all information displayed in the current status window to the clipboard.

4.2 Firmware Change

New firmware can be released when adding functions or fixing bugs. If you are using old firmware, you can upgrade it to the latest version. Firmware can be upgraded online or manually via spFinder, or remotely via Cloud.

4.2.1 Online Upgrade

If you can access to the Internet by your PC, the Firmware can be upgraded online.

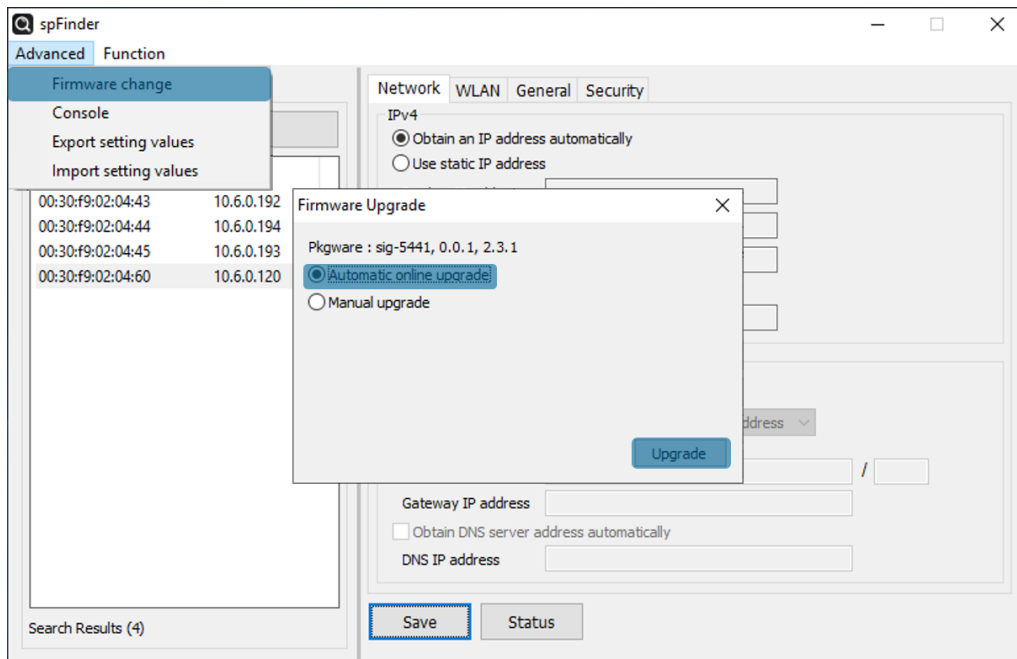


Figure 4-3 Online Upgrade

- Search and Connect to your product by spFinder.
- Click [Advanced] > [Firmware change] menu.
- Click [Upgrade] button selecting [Automatic online upgrade] menu.

4.2.2 Manual Upgrade

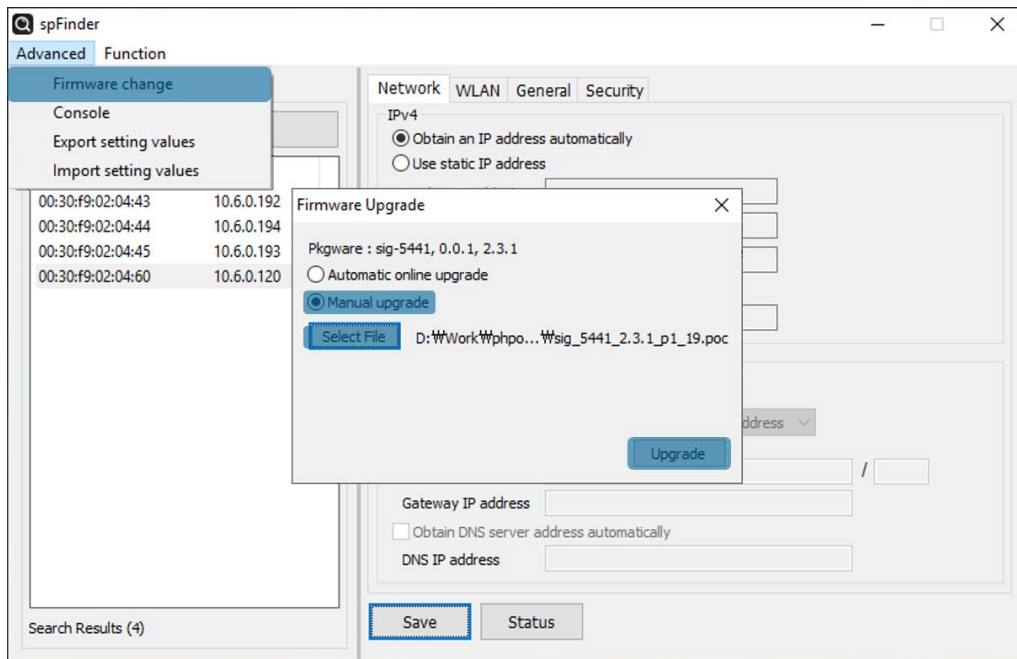


Figure 4-4 Manual Upgrade

- Download a Firmware file to your PC.
- Search and connect to your product by spFinder.
- Click [Advanced] > [Firmware Change] menu.
- Select to [Manual upgrade] on the [Firmware Upgrade] window.
- Click [Select File] button and select the Firmware file on you PC
- Click [Upgrade] button.

4.2.3 Remote Upgrade via cloud

See [Cloud User Guide](#)

4.3 Console

The console function analyzes and displays the the device's operation status and log.

After searching and connecting the product with spFinder, click [Console] in the [Advanced] menu to display the console window. When you open this window, the spFinder connects to the product and keeps the connection until you close the window or time out. While the connection is maintained, other hosts cannot access the product using the spFinder.

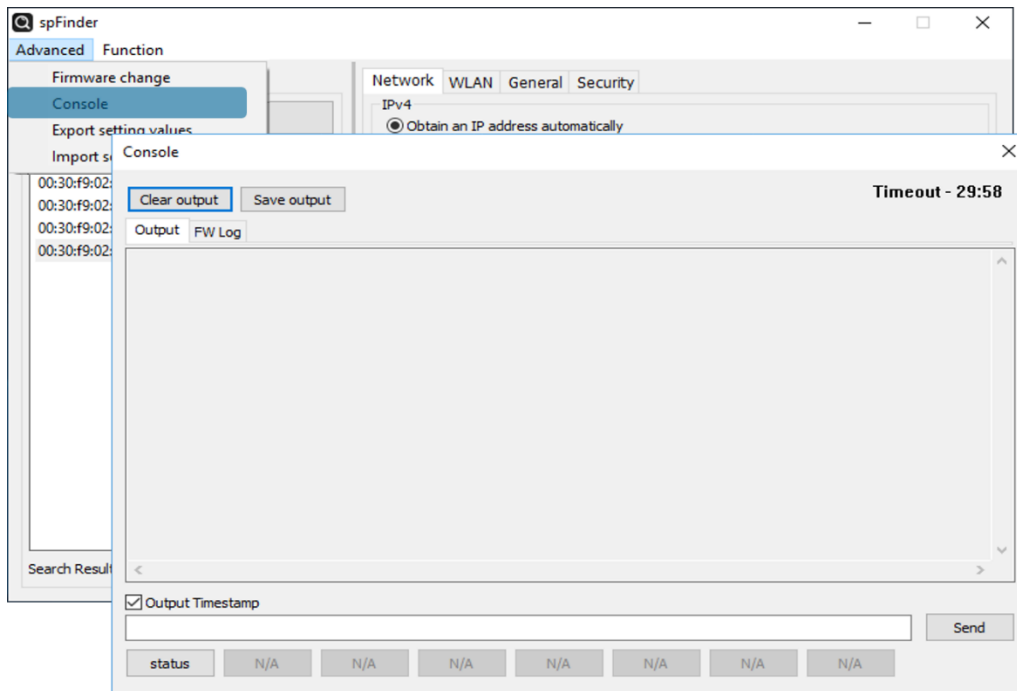


Figure 4-5 Console

4.3.1 Output Tab

This tab displays console messages.

- Clear output

Pressing this button clears all output messages on the Output tab.

- Save output

Press this button to save the message to be output to the Output tab as a file. While saving the message as a file, the size of the saved file is displayed, and the Timeout function does not work.

- status

Pressing this button outputs product status information on the Output tab

4.3.2 FW Log Tab

This tab displays the log message from Firmware.

4.3.3 Timeout

This is the timeout display function that appears in the upper right of the console window. When this time reaches zero, the connection between spFinder and the product is lost. The initial value is 30 minutes. If you move the mouse pointer in the internal area of the console window, the timer is reset to the initial value again. This function does not work while using the [Save output] function.

4.4 Export/Import Setting Values

The [Export setting values] menu saves setting values of your product as a file. The password is not included in the file. The [Import setting values] menu loads a setting values from a file which is saved by the [Export setting values] menu. Find these functions at the [Advanced] menu.

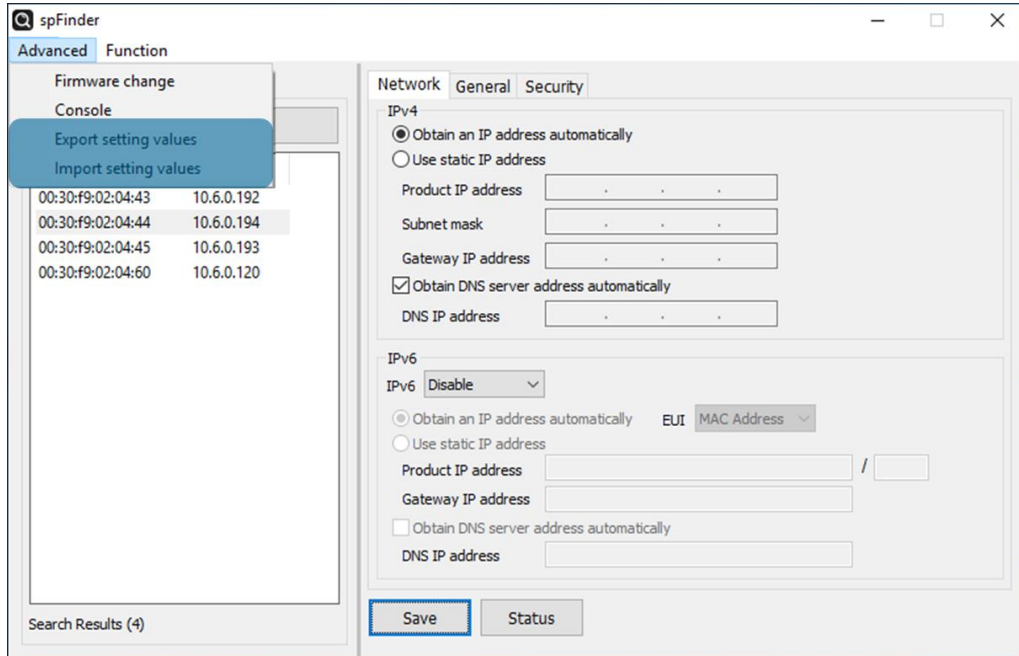


Figure 4-6 Export/Import Setting Values

4.5 Factory Reset

Performing the Factory Reset, you can restore all the settings to the default including the password. Follow the procedure below by checking the status of RUN LED.

1. Press and immediately release the function button.



RUN

2. Press the function button and keep the state more than 5 seconds.



RUN

3. Once the RUN led is turned off, release the button within 2 seconds.



RUN

2 seconds

4. The factory reset is started when you release the button. After that, your product will reboot.



RUN

5 Technical Support and Warranty

5.1 Technical Support

If you have any question regarding operation of the product, visit Customer Support FAQ corner and the message board on Sollae Systems' web site or send us an email at the following address:

- E-mail: support@eztcp.com
- Q & A board: <https://www.eztcp.com/en/support/qna.php>

5.2 Warranty

5.2.1 Free Repair Services

For product failures occurring within 2 years after purchase, Sollae Systems provides free repair services or exchange the product. However, if the product failure is due to user's fault, repair service fees will be charged or the product will be replaced at user's expense.

5.2.2 Charged Repair Services

For product failures occurring after the warranty period (2 years) or resulting from user's fault, repair service fees will be charged and the product will be replaced at user's expense.

6 Precaution and Exemption from Liability

6.1 Precaution

- Sollae Systems is not responsible for product failures occurring due to user's alteration of the product.
- Specifications of the product are subject to change without prior notice for performance improvement.
- Sollae Systems does not guarantee successful operation of the product if the product was used under conditions deviating from the product specifications.
- Reverse engineering of firmware and applications provided by Sollae Systems is prohibited.
- Use of firmware and applications provided by Sollae Systems for purposes other than those for which they were designed is prohibited.
- Do not use the product in an extremely cold or hot place or in a place where vibration is severe.
- Do not use the product in an environment in which humidity is high or a lot of oil exists.
- Do not use the product where there is caustic or combustible gas.
- Sollae Systems does not guarantee normal operation of the product under the conditions a lot of noise exists.
- Do not use the product for a purpose that requires exceptional quality and reliability relating to user's injuries or accidents – aerospace, aviation, health care, nuclear power, transportation, and safety purposes.
- Sollae Systems is not responsible for any accident or damage occurring while using the product.

6.2 Exemption from Liability

6.2.1 English version

In no event shall Sollae Systems Co., Ltd. and its distributors be liable for any damages whatsoever (including, without limitation, damages for loss of profit, operating cost for commercial interruption, loss of information, or any other financial loss) from the use or inability to use the SIG-5441 even if Sollae Systems Co., Ltd. or its distributors have been informed of such damages.

The SIG-5441 is not designed and not authorized for use in military applications, in nuclear applications, in airport applications or for use in applications involving explosives, or in medical applications, or for use in security alarm, or for use in a fire alarm, or in applications involving elevators, or in embedded applications in vehicles such as but not limited to cars, planes, trucks, boats, aircraft, helicopters, etc.

In the same way, the SIG-5441 is not designed, or intended, or authorized to test, develop, or be built into applications where failure could create a dangerous situation that may result in financial losses, damage to property, personal injury, or the death of people or animals. If you use the SIG-5441 voluntarily or involuntarily for such unauthorized applications, you agree to subtract Sollae Systems Co., Ltd. and its distributors from all liability for any claim for compensation.

Sollae Systems Co., Ltd. and its distributors entire liability and your exclusive remedy shall be Sollae Systems Co., Ltd. and its distributors option for the return of the price paid for, or repair, or replacement of the SIG-5441.

Sollae Systems Co., Ltd. and its distributors disclaim all other warranties, either expressed or implied, including, but not limited to, the implied warranties of merchantability and fitness for a particular purpose, with respect to the SIG-5441 including accompanying written material, hardware and firmware.

6.2.2 French version

- Documentation

La documentation du boîtier SIG-5441 est conçue avec la plus grande attention. Tous les efforts ont été mis en œuvre pour éviter les anomalies. Toutefois, nous ne pouvons garantir que cette documentation soit à 100% exempt de toute erreur. Les informations présentes dans cette documentation sont données à titre indicatif. Les caractéristiques techniques peuvent changer à tout moment sans aucun préavis dans le but d'améliorer la qualité et les possibilités des produits.

- Copyright et appellations commerciales

Toutes les marques, les procédés, les références et les appellations commerciales des produits cités dans la documentation appartiennent à leur propriétaire et Fabricant respectif.

- Conditions d'utilisations et limite de responsabilité

En aucun cas Sollae Systems Co., Ltd. ou un de ses distributeurs ne pourra être tenu responsable de dommages quels qu'ils soient (intégrant, mais sans limitation, les dommages pour perte de bénéfice commercial, interruption d'exploitation commerciale, perte d'informations et de données à caractère commercial ou de toute autre perte financière) provenant de l'utilisation ou de l'incapacité à pouvoir utiliser le boîtier SIG-5441, même si Sollae Systems Co., Ltd. ou un de ses distributeurs a été informé de la possibilité de tels dommages.

Le boîtier SIG-5441 est exclusivement prévu pour un usage en intérieur, dans un environnement sec et non poussiéreux. Le boîtier SIG-5441 n'est pas prévu, ni autorisé pour être utilisé en extérieur, ni de façon embarquée dans des engins mobiles de quelque nature que ce soit (voiture, camion, train, avion, etc...), ni en milieu explosif, ni dans des enceintes nucléaires, ni dans des ascenseurs, ni dans des aéroports, ni dans des enceintes hospitaliers, ni pour des applications à caractère médical, ni dans des dispositifs de détection et d'alerte anti-intrusion, ni dans des dispositifs de détection et d'alerte anti-incendie, ni dans des dispositifs d'alarme GTC, ni pour des applications militaires.

De même, le boîtier SIG-5441 n'est pas conçu, ni destiné, ni autorisé pour expérimenter, développer ou être intégré au sein d'applications dans lesquelles une défaillance de celui-ci pourrait créer une situation dangereuse pouvant entraîner des pertes financières, des dégâts matériels, des blessures corporelles ou la mort de personnes ou d'animaux. Si vous utilisez le boîtier SIG-5441 volontairement ou involontairement pour de telles applications non autorisées, vous vous engagez à soustraire Sollae Systems Co., Ltd. et ses distributeurs de toute responsabilité et de toute demande de dédommagement.

En cas de litige, l'entière responsabilité de Sollae Systems Co., Ltd. et de ses distributeurs vis-à-vis de votre recours durant la période de garantie se limitera exclusivement selon le choix de Sollae Systems Co., Ltd. et de ses distributeurs au remboursement de votre produit ou de sa réparation ou de son échange. Sollae Systems Co., Ltd. et ses distributeurs démentent toutes autres garanties, exprimées ou implicites.

Tous les boîtiers SIG-5441 sont testés avant expédition. Toute utilisation en dehors des spécifications et limites indiquées dans cette documentation ainsi que les court-circuit, les chocs, les utilisations non autorisées, pourront affecter la fiabilité, créer des dysfonctionnements et/ou la destruction du boîtier SIG-5441 sans que la responsabilité de Sollae Systems Co., Ltd. et de ses distributeurs ne puissent être mise en cause, ni que le boîtier SIG-5441 puisse être échangé au titre de la garantie.

- Rappel sur l'évacuation des équipements électroniques usagés

Le symbole de la poubelle barré présent sur le boîtier SIG-5441 indique que vous ne pouvez pas vous débarrasser de ce dernier de la même façon que vos déchets courants. Au contraire, vous êtes responsable de l'évacuation du boîtier SIG-5441 lorsqu'il arrive en fin de vie (ou qu'il est hors d'usage) et à cet effet, vous êtes tenu de le remettre à un point de collecte agréé pour le recyclage des équipements électriques et électroniques usagés. Le tri, l'évacuation et le recyclage séparés de vos équipements usagés permettent de préserver les ressources naturelles et de s'assurer que ces équipements sont recyclés dans le respect de la santé humaine et de l'environnement. Pour plus d'informations sur les lieux de collecte des équipements électroniques usagés, contacter votre mairie ou votre service local de traitement des déchets.

7 Revision History

Date	Version	Description	Author
2020.12.02.	1.0	1. Created	Khanh
2021.09.08	1.1	1. Change condition of digital input volt range	Amy Kim
2022.07.28.	1.2	1. Add a notification about FCC	Roy Lee